

Model 911 ACCELEROMETER

The IRD 911 is a solid-state seismic accelerometer for permanent mounting on machinery. It is manufactured in a fully welded stainless steel housing with a hermetic sealed connector that will withstand harsh industrial environments, including high temperatures and splashing fluids.

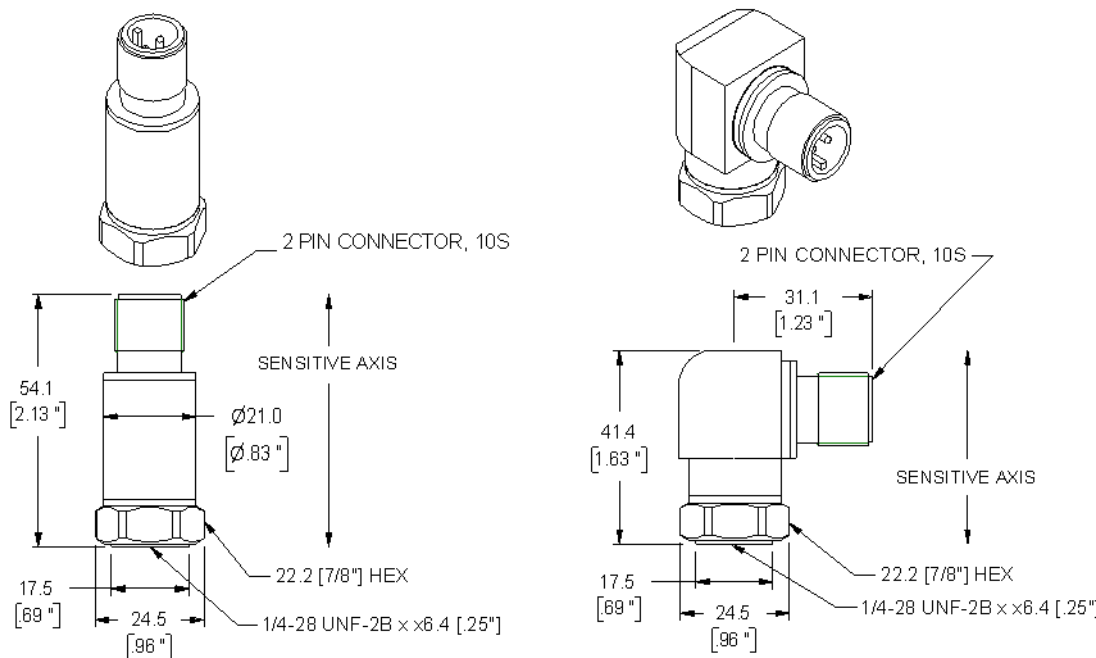
The IRD 911's wide frequency and amplitude ranges accommodate most types of rotating machines. The small size permits installation near bearings.

The IRD 911 has an internal, low-output impedance amplifier capable of transmitting a vibration signal accurately through several thousand feet of cable, ideal for large installations with centralized signal processing equipment. A DC bias voltage on the output facilitates remote testing for cable continuity and proper operation.

The IRD 911 can be mounted directly on the machine via a 1/4"- 28 screw. The IRD 911 accelerometer is available in a straight or a right-angle mounted connector configuration.



Line Drawing:



1119

Model 911

ACCELEROMETER

GENERAL SPECIFICATIONS	
Frequency Response	3Hz to 2kHz within $\pm 10\%$ @ 70°F (21°C)
Sensitivity	100 mV/g $\pm 10\%$ @ 100Hz
Magnetic Field Sensitivity	100 μ g/Gauss
Output Impedance	100 Ohms
Dynamic Range	1- 75 g peak
Resonant Frequency	22 kHz nominal, mounted
Transverse Sensitivity	5% average
Grounding	Case isolated from circuit
Power Requirement	+18 to +26VDC source through 1 to 4mA constant-current Diode
Output Bias	+10 to +18 VDC
Housing	316L-series stainless steel
Seal	Hermetic
Environmental Protection	Meets NEMA 4x, 12, 13, IEC IP66
Temperature Range	-40 to 300° F (-40 to 149° C)

Ordering Information for Model 911	
Part Number	Description
E37691	Model 911S Accelerometer with Straight Connector
E37692	Model 911R Accelerometer with Right-Angle Connector

USA Headquarters:
IRD LLC

Telephone: (1) 502 366 0916 Fax: (1) 502 238 1001
4740 Allmond Ave. Louisville, KY 40209, USA

UK:
IRD UK Ltd.

Telephone: +44 1244 538170 Fax: +44 1244 528900
International House, Aviation Park, Flint Road, Saltney Ferry, Chester UK CH4 0GZ

CANADA:
IRD Canada Ltd.

Telephone: 1.450.724.4066 Fax: 1.450.724.4077
755 Jean-Baptiste-Varin, La Prairie, QC J5R 6P3, Canada

Specifications are subject to change without prior notice.

Copyright © 2015 IRD[®]
All rights reserved.

Publication No: E51327
Rev 2, 22 May 2015